



Main.vi

C:\Users\oviwa\Music\Chilabot\Main.vi

Last modified on 2/23/2024 at 10:41 PM

Printed on 2/23/2024 at 10:54 PM

Main.vi



The myRIO Project template acquires acceleration data from the onboard accelerometer and displays the changes of acceleration values in a waveform chart.

STOP



Enum

Error

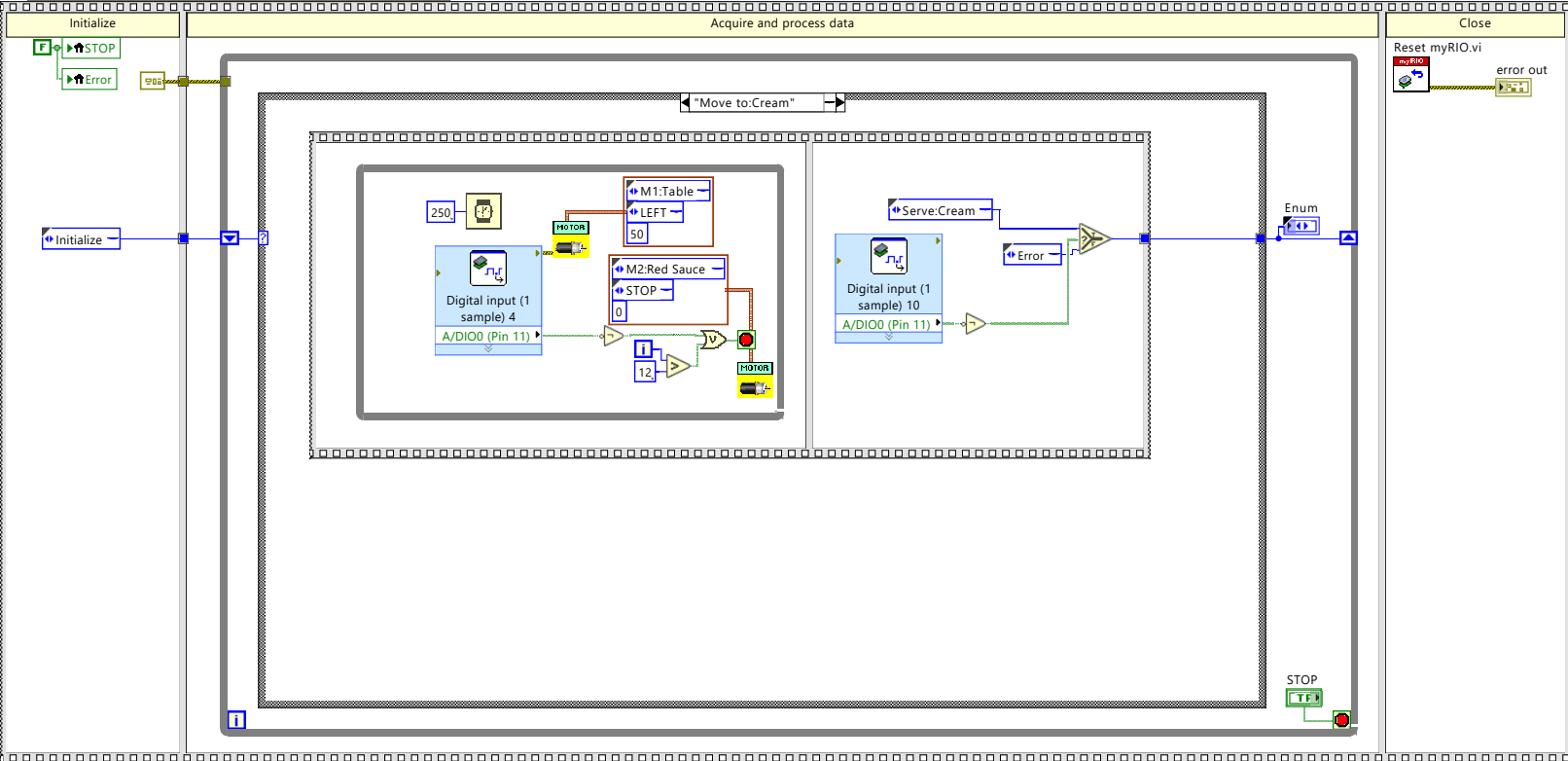
Error

error out

status	code
	0

source

You can configure the **Accelerometer** Express VI by double-clicking it. You can find other myRIO Express VIs in the **myRIO** palette.



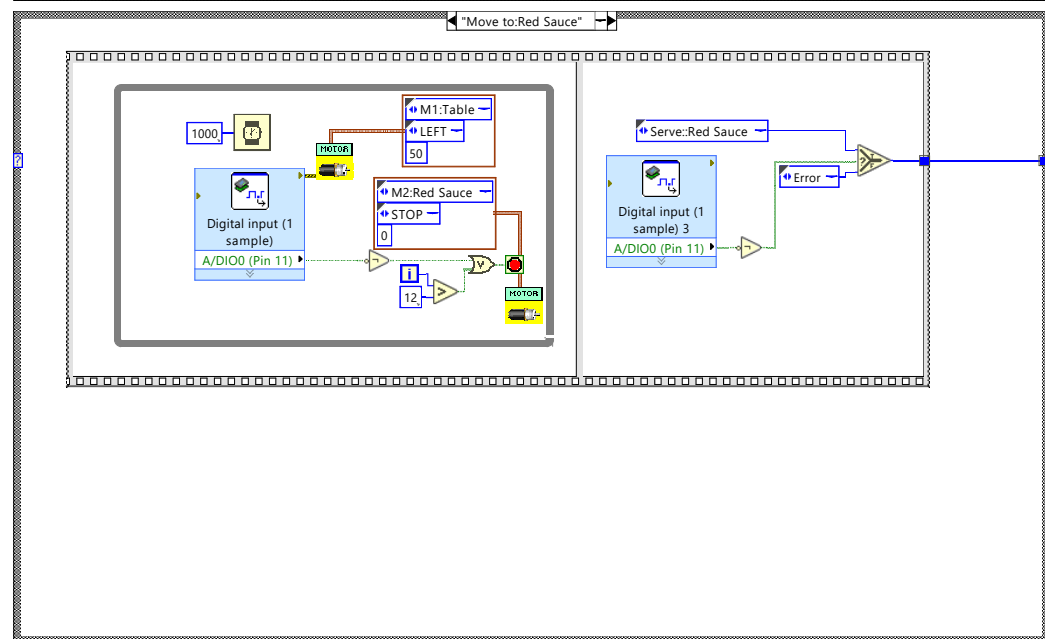
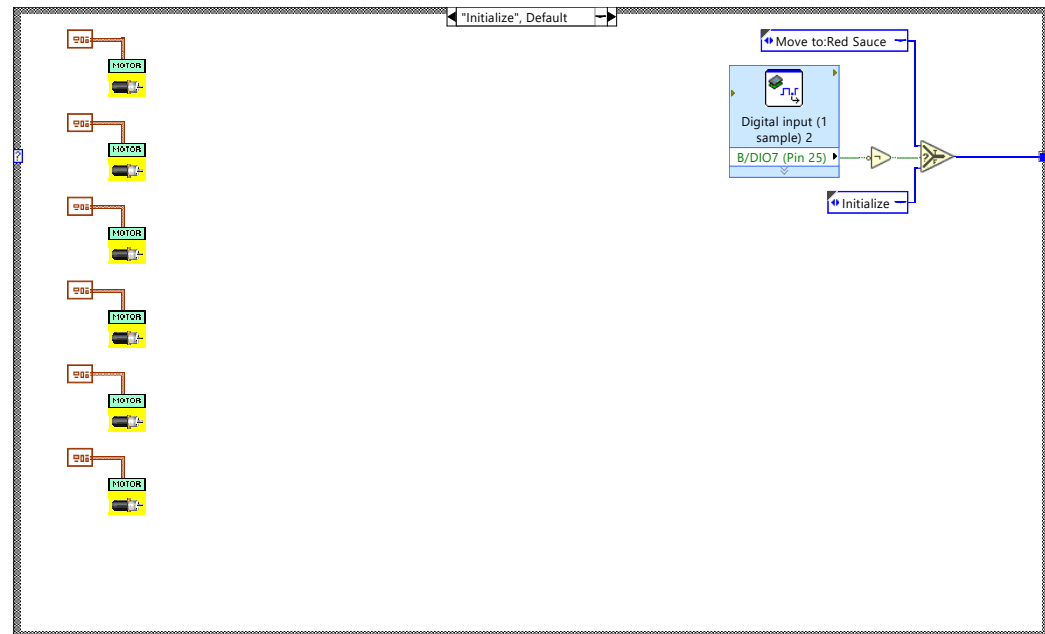


Main.vi

C:\Users\oviwa\Music\Chilabot\Main.vi

Last modified on 2/23/2024 at 10:41 PM

Printed on 2/23/2024 at 10:54 PM



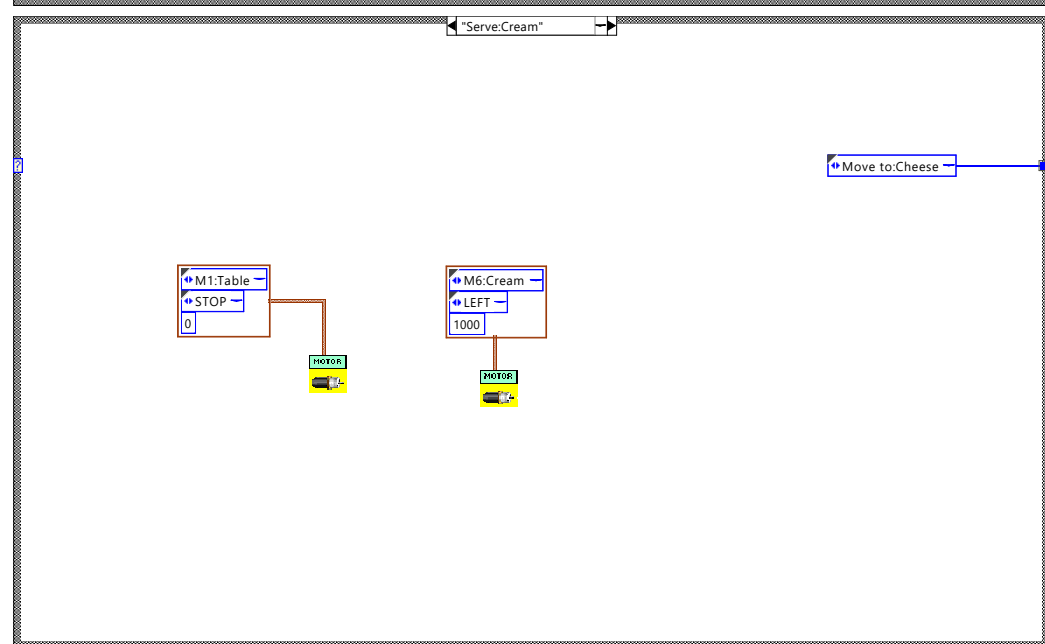
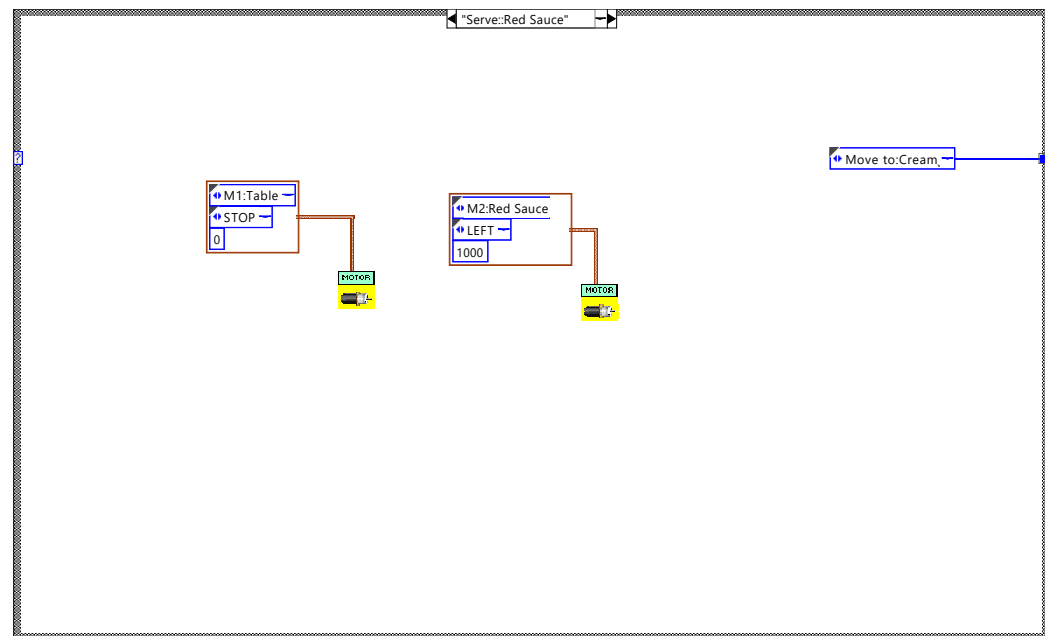


Main.vi

C:\Users\oviwa\Music\Chilabot>Main.vi

Last modified on 2/23/2024 at 10:41 PM

Printed on 2/23/2024 at 10:54 PM



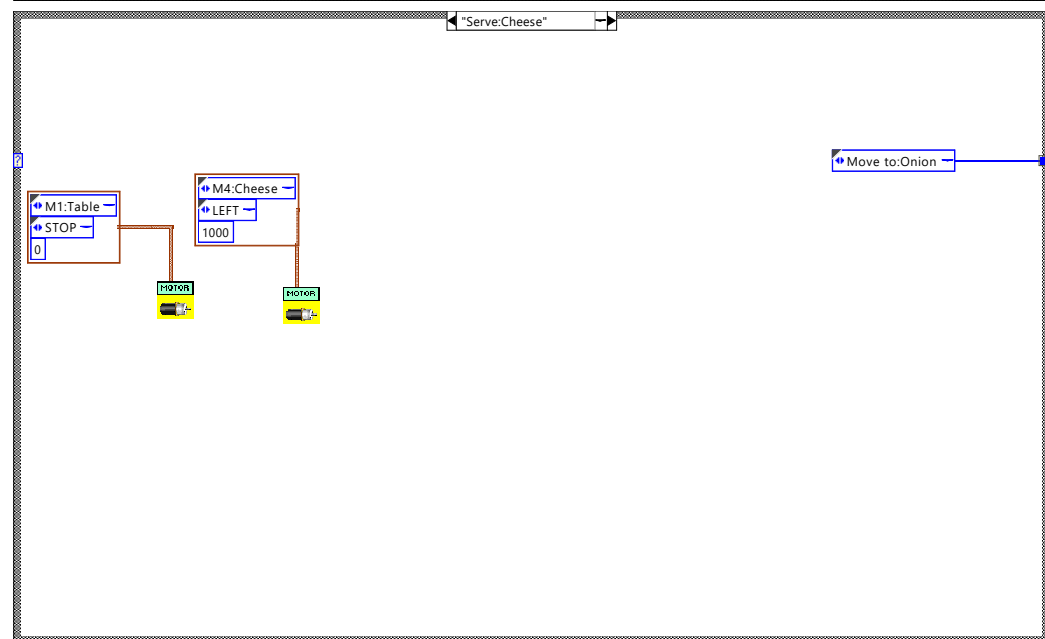
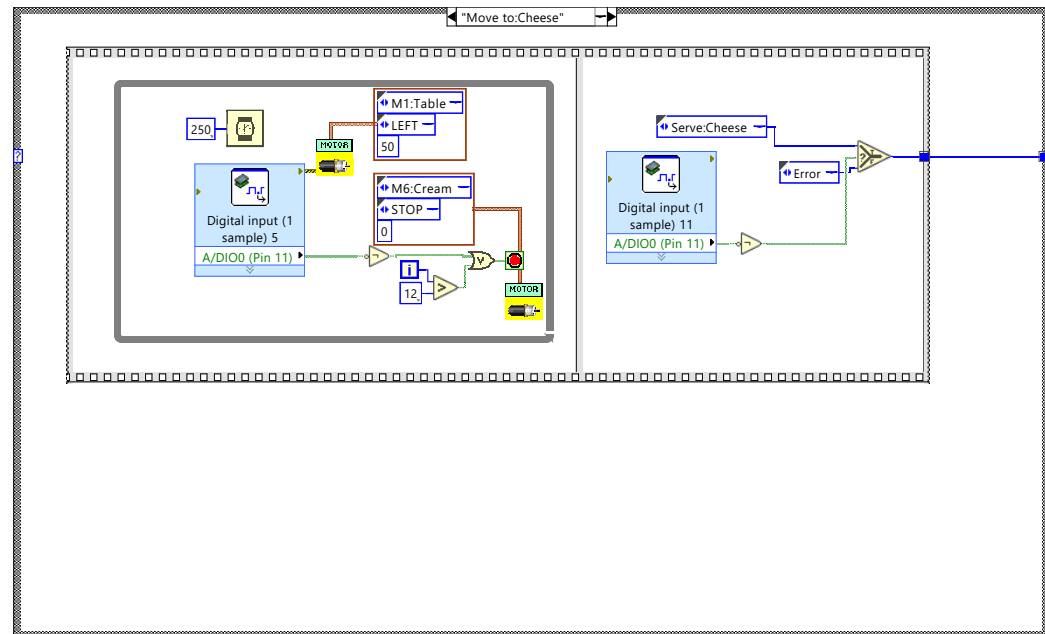


Main.vi

C:\Users\oviwa\Music\Chilabot>Main.vi

Last modified on 2/23/2024 at 10:41 PM

Printed on 2/23/2024 at 10:54 PM



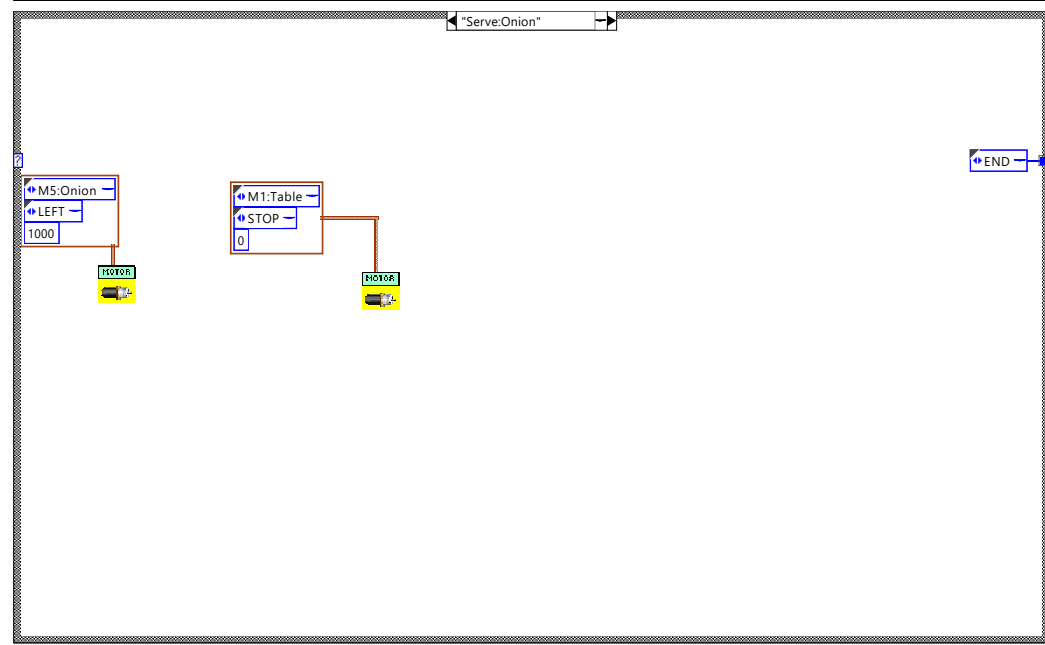
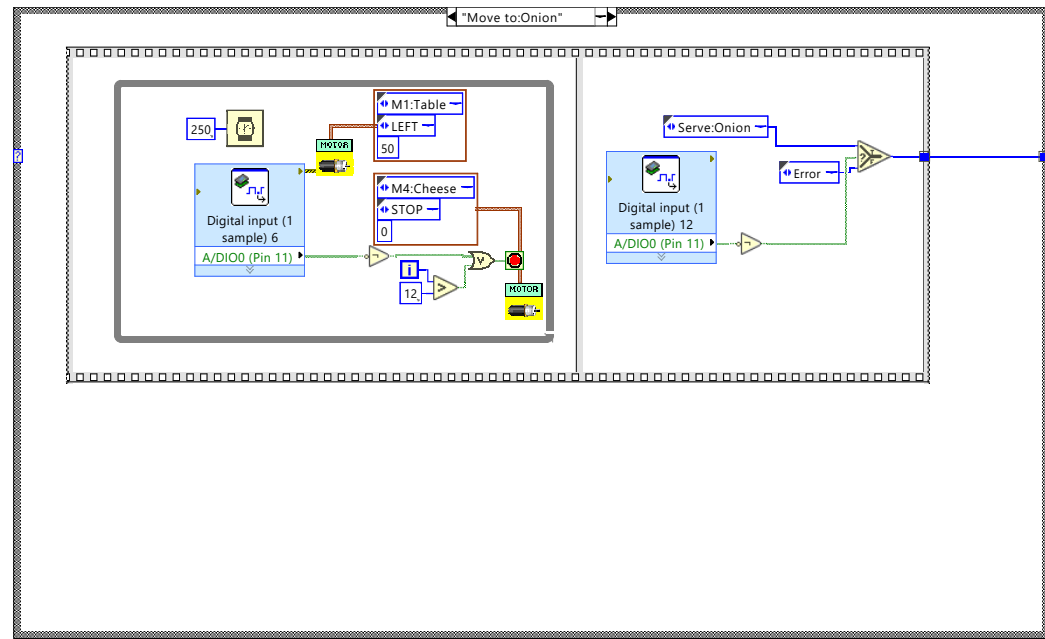


Main.vi

C:\Users\oviwa\Music\Chilabot>Main.vi

Last modified on 2/23/2024 at 10:41 PM

Printed on 2/23/2024 at 10:54 PM





Main.vi

C:\Users\oviwa\Music\Chilabot>Main.vi

Last modified on 2/23/2024 at 10:41 PM

Printed on 2/23/2024 at 10:54 PM

